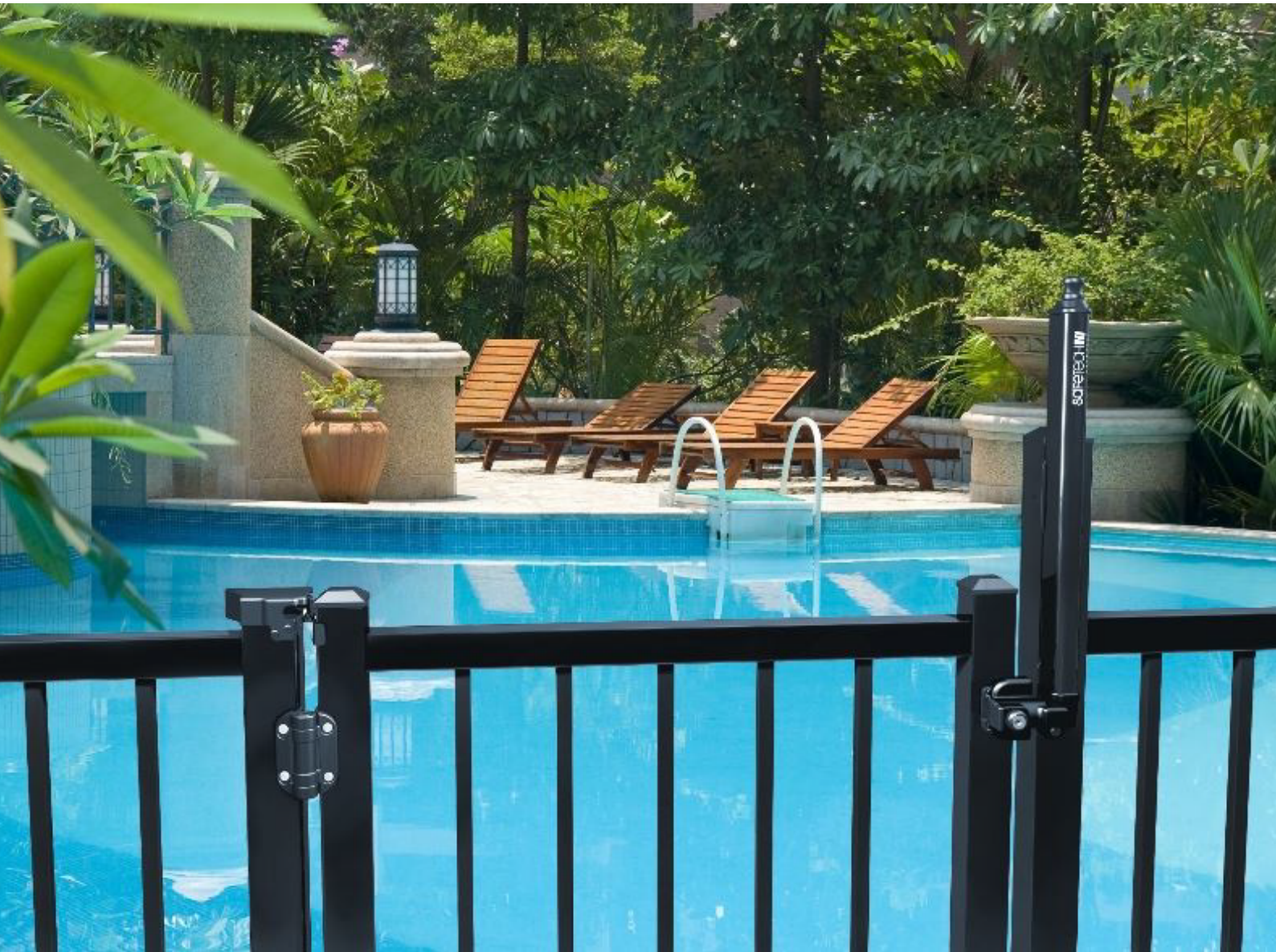


**SAFETECH**   
HARDWARE

*Innovative by design*



# REGULAR MAINTENANCE **CHECKLIST**

---

# HINGE MAINTENANCE CHECKLIST

---

Regular maintenance must be undertaken every 6 months to ensure the safe operation of gate hinges including:

1. Check gate is opening & closing smoothly and swinging freely
2. Check all visible moving parts to ensure hinge has no debris impeding its operation
3. Check all screws are tightly fitted and there is no screw movement during operation of the hinge
4. Test closing mechanism to ensure sufficient tension to close the gate from various distances at 10 mm increments. Adjustable tension hinges can be adjusted with the allen key provided (fixed tension hinge requires adjustment by fence installer)
5. Check safety cap is fitted securely

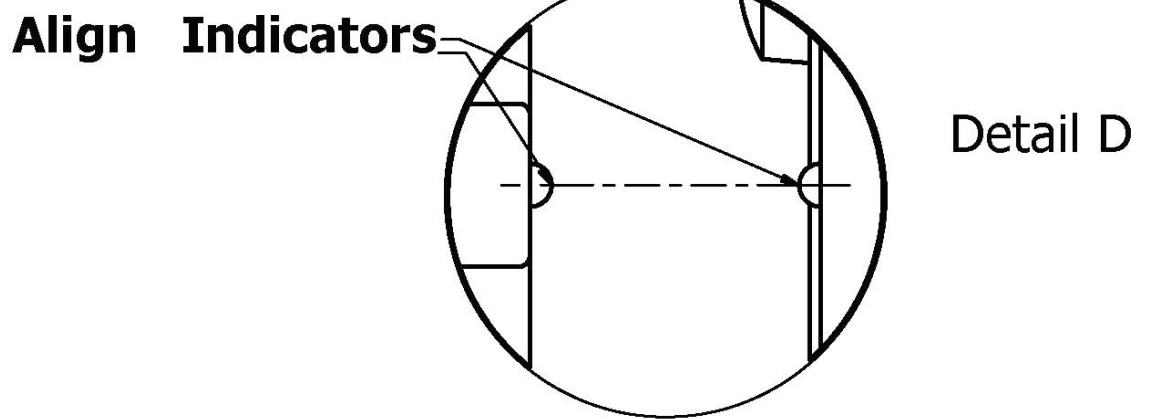
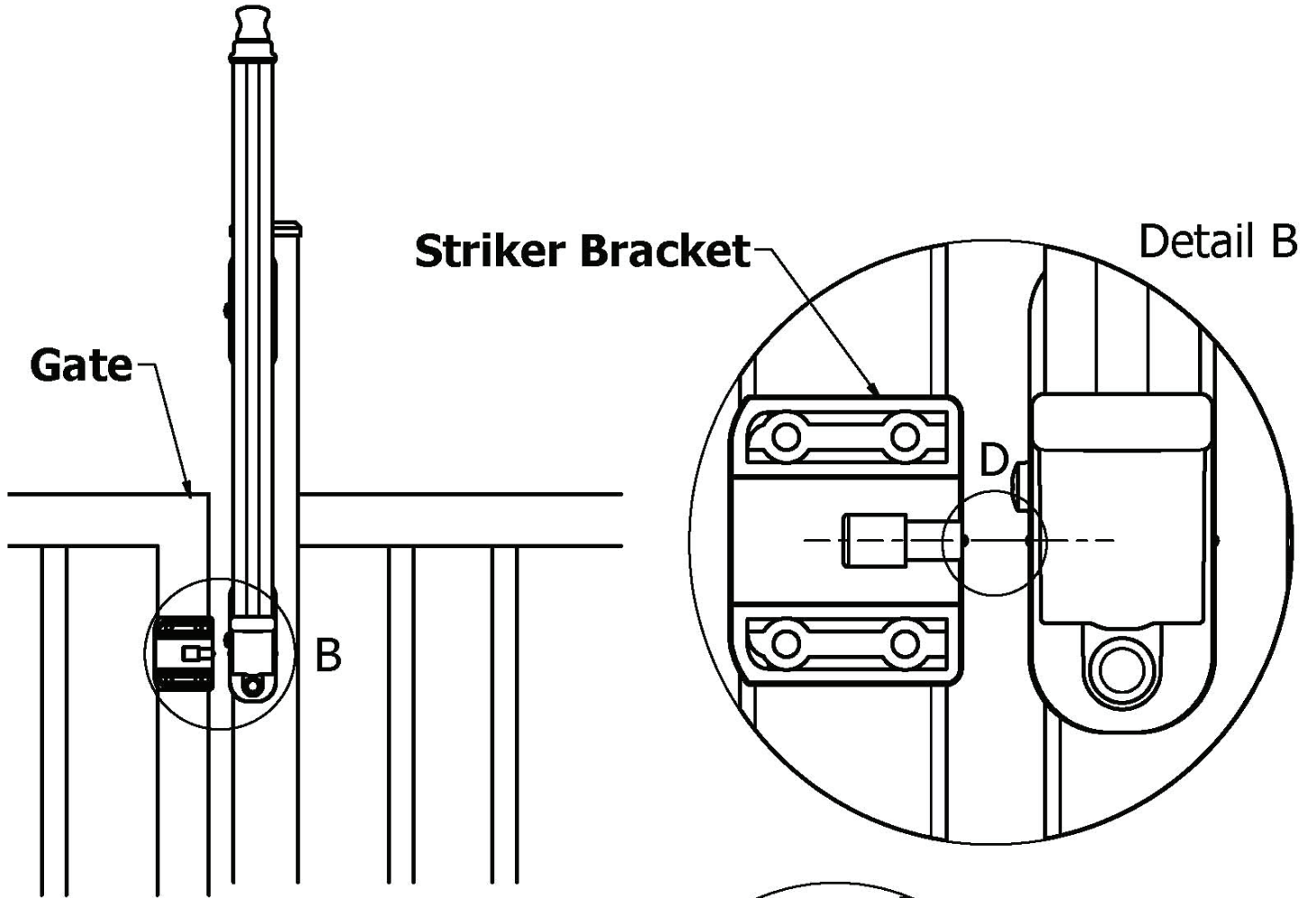
# GATE LATCH MAINTENANCE CHECKLIST

---

Regular seasonal maintenance (min every 3 months) must be undertaken to ensure the safe operation of the gate latch including:

1. Visual inspection of striker and latch body to ensure alignment to the guide provided on our products "align indicators - Step 4 - Detail D"
2. Keep latch free of any debris
3. Check striker bolt is connecting to the magnet (min 10 applications) and most importantly the striker adjustment gap is maintained - Step 6
4. Check the smoothness of the top pull button
5. Check all screws and bolts and test hinge tension
6. Check key inserts smoothly into barrel (if applicable)
7. Check key locks the striker in closed position (if applicable)

**NOTE:** Latches will operate correctly only if installed and maintained in accordance with Safetech instructions.



# GENERAL INSTRUCTIONS FOR ALL APPLICATIONS

---

Our hardware will operate correctly only if installed and maintained in accordance with Safetech Instructions

1. Position latch on gate post ensuring latch release knob is minimum of 1500mm (5ft) above ground level
2. Always consult your local authority prior to installation of our gate hardware to ensure you comply with all regulations
3. Must be installed in accordance with all relevant fence/barrier codes and regulations
4. Use key only when striker and latch are engaged with each other (if applicable)
5. Remove key from lock after use (if applicable)
6. Keep all hardware free of any debris and water
7. Petroleum based lubricants, such as WD40, cannot be used on our products as they lead to a degeneration of the polymer and may void our limited lifetime warranty. Our hinges should not need lubrication, please contact our technical support department for further assistance.

## **IMPORTANT:**

Nothing substitutes for adult supervision and we strongly recommend all children should be supervised at all times around water

**saFeTECH**   
HARDWARE

*Innovative by design*

[www.safetechhardware.com.au](http://www.safetechhardware.com.au)